

# GKN SERIES

# SNAP-IN MOUNTING HIGH PERFORMANCE IEC CONNECTOR FILTERS

## INTRODUCTIONS

1. Specially designed with additional X capacitor providing most effective EMI suppression for low frequency noise (ranged 150KHz-500KHz).
2. Bleeder resistor can be added with suffix "-R" on part numbers.
3. With optional Y capacitor from 100pF to 3300pF.
4. All part numbers are UL recognized, CSA certified and VDE approved.

## SPECIFICATIONS

1. Maximum leakage current each line-to-ground @ 115VAC 60Hz: 0.2mA @ 250VAC 50Hz: 0.4mA
2. Hipot rating (one minute) line-to-ground: 2250VDC line-to-line: 1450VDC
3. Operating frequency: 50/60Hz
4. Rated voltage: 115/250VAC

## COMPONENTS

PART NO.	L (mH)	Cx (uF)	Cy (pF)
03GKNG3E/03GKNW3E	3.1	0.1	2200
06GKNG3E/06GKNW3E	1.2	0.1	
10GKNG3E/10GKNW3E	0.36	0.1	

• VDE approved to 9A/250V

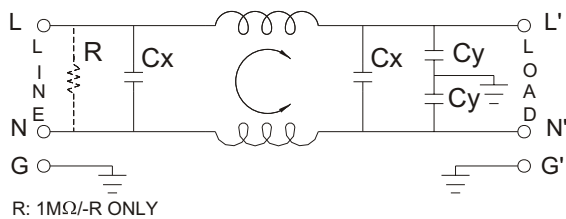
## MINIMUM INSERTION LOSS IN dB

PART NO.	COMMON MODE (L-G) IN 50 OHM SYSTEM					
	FREQUENCY-MHz					
	.15	.50	1.0	5.0	10	30
03GKNG3E/03GKNW3E	20	25	30	40	40	50
06GKNG3E/06GKNW3E	12	20	25	35	45	45
10GKNG3E/10GKNW3E	7	10	15	30	35	50

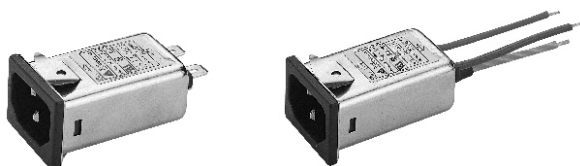
  

PART NO.	DIFFERENTIAL MODE (L-L) IN 50 OHM SYSTEM					
	03GKNG3E/03GKNW3E	5	25	50	55	53
06GKNG3E/06GKNW3E	7	20	35	50	50	40
10GKNG3E/10GKNW3E	7	9	25	50	45	35

## ELECTRICAL SCHEMATIC



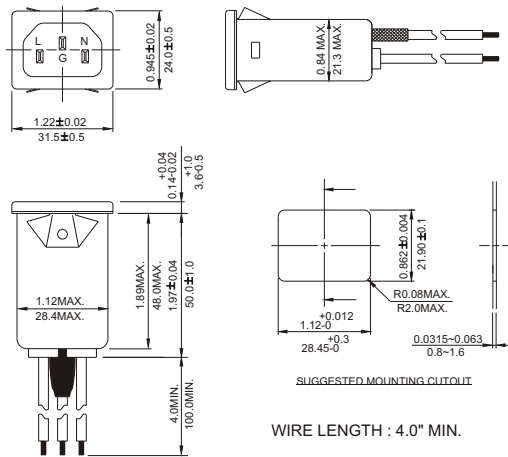
## MECHANICAL CONSTRUCTION



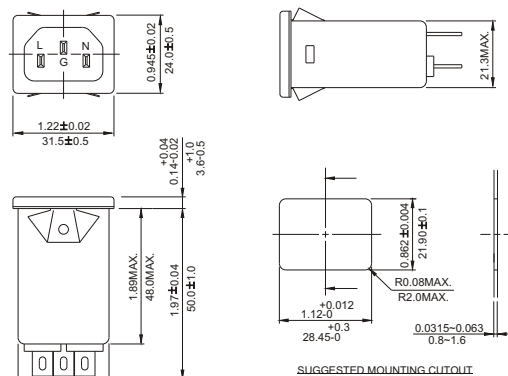
G3E

W3E

Suggested thickness of mounting panel is from 0.0315 (0.8) to 0.063 (1.6) inch(mm) of mounting cutout



W3E



G3E

UNIT: INCH/mm